

INSTALLATION INSTRUCTIONS

Series 825YA and LF825YA Reduced Pressure Zone Assemblies

Sizes: 3/4" – 2" (20 – 50mm)

Installation Instructions

1. Consult local codes for specific installation requirements and restrictions applicable to your area. It is recommended that system supply pressure be at least 20psi (138 kPa).
2. These instructions apply to the Series 825YA and LF825YA, sizes 3/4"- 2" (20 - 50mm) only. The assembly should be installed in the horizontal position with the relief valve on the side.
3. Approved flow directions indicated above may be achieved by removing the two bolts at the inlet or outlet adapter flange and rotating the ball valve/adapter assembly into the desired configuration shown.

4. **THE VALVE ASSEMBLY MUST BE INSTALLED WHERE RELIEF VALVE DISCHARGE WILL BE ACCEPTABLE, OR WHERE RELIEF VALVE DISCHARGE CAN BE COMPLETELY DRAINED.** The valve assembly must be installed where it is accessible for periodic testing and maintenance. Clearances shown in the installation views apply to exterior, interior and pit/vault installations and are only recommendations. These minimums do not apply to removable protective enclosures. Refer to local codes for actual requirements in your area.

NOTE: The gap drain is not designed to catch the maximum discharge possible from the relief valve. The installation of FEBCO air gap with the drain line terminating above a floor drain will handle any normal discharge or nuisance spitting through the relief valve. However, floor drain size may need to be designed to prevent water damage caused by a catastrophic failure condition. Do not reduce the size of the drain line from the air gap fitting.

5. **PRIOR TO INSTALLING THE VALVE INTO THE LINE, FLUSH THE SUPPLY LINE OF ALL FOREIGN MATERIAL.** Failure to flush the supply line may cause the check valves to become fouled and require disassembly and cleaning.

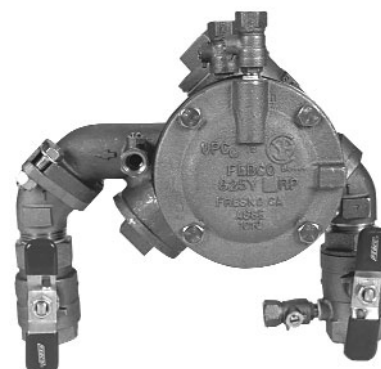
6. After installation **SLOWLY** fill the assembly with water and bleed air from the body using the # 3 and # 4 test cocks. Test the valve assembly to ensure correct operation.

NOTE: All assemblies are tested at the factory for proper operation and leakage. If the valve does not pass the field test, it is most likely due to a fouled check valve. This is not covered by the factory warranty. The valve cover(s) must be removed and the check seats inspected and cleaned. Any damage or improper operation caused by pipeline debris or improper installation/start-up is not included in the factory warranty.

In case of a possible warranty claim, contact your local supplier or FEBCO Representative. **DO NOT REMOVE THE VALVE ASSEMBLY FROM THE PIPELINE.**

7. The assembly must be protected from freezing and excessive pressure increases. Thermal expansion or water hammer can cause pressure increases. These excessive pressure situations must be eliminated to protect the valve and system from possible damage.

8. Plastic test cock plugs and tethers are provided (loose in box) for areas that require them.



825YA

U.S. Patent No. 4,991,622

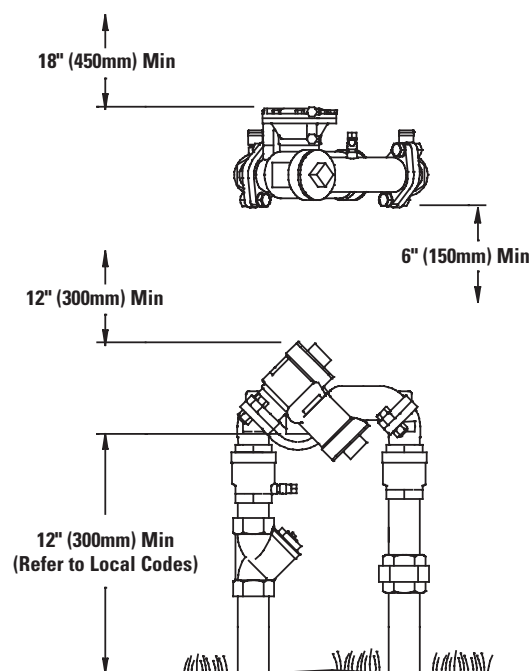
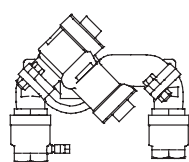
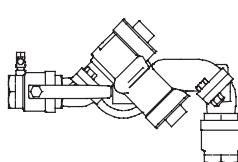


Figure 1



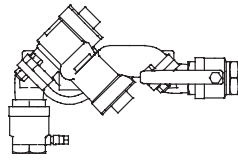
Vertical Up Flow In
Vertical Down Flow Out

Figure 2



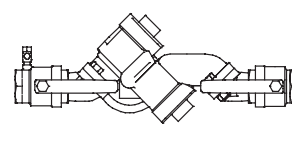
Horizontal Flow In
Vertical Down Flow Out

Figure 3



Vertical Up Flow In
Horizontal Flow Out

Figure 4



Horizontal Flow In
Horizontal Flow Out



Servicing and Maintenance

General

1. Detailed maintenance manuals are available from your local FEBCO representative.
2. Rinse all parts with clean water prior to reassembly.
3. **DO NOT USE ANY PIPE DOPE, OIL, GREASE OR SOLVENT ON ANY PARTS** unless instructed to do so.
4. Do not force parts. Parts should fit together freely. Excess force may cause damage and render the assembly inoperable.
5. Carefully inspect seals and seating surfaces for debris or damage.
6. After servicing, repressurize and test the assembly to ensure proper operation.

Check Valve Disassembly

1. Unscrew the cover and remove the spring and disc holder assembly.
CAUTION: The covers are spring loaded.
2. Inspect/clean debris from the disc and seat area. Replace worn/damaged parts as required.
3. Apply FDA approved grease to the cover O-ring and reassemble the valve in the reverse order of disassembly.

Relief Valve Disassembly

1. Close the outlet shutoff valve, and then close the inlet shutoff valve. Bleed residual pressure from the assembly by opening the #4, #3, and # 2 test cocks in this sequence.
2. Remove capscrews, diaphragm cover, diaphragm and port bushing of relief valve and then remove the internal assembly from the body by pulling straight out.
3. Inspect for debris, damage or fouling of the seat disc. Clean and/or replace parts as required.
4. Reassemble in the reverse order of disassembly.

Test Procedure

FEBCO recommends the use of the appropriate test method presented in the ASSE Series 5000 manual that is consistent with your local codes.

Troubleshooting Guide

PROBLEM	CAUSE	SOLUTION
1. Continuous relief valve discharge.	a. Debris on check seating surfaces b. Debris on relief valve seat	Disassemble and clean Disassemble and clean
2. Intermittent relief valve discharge.	a. Inlet pressure fluctuations b. Downstream pressure surges	Eliminate fluctuations Eliminate surges

CALIFORNIA PROPOSITION 65 WARNING

WARNING: This product contains chemicals known to the State of California to cause cancer and birth defects or other reproductive harm. (California law requires this warning to be given to customers in the State of California.)

For more information: www.watts.com/prop65

Limited Warranty: FEBCO warrants each product to be free from defects in material and workmanship under normal usage for a period of one year from the date of original shipment. In the event of such defects within the warranty period, the Company will, at its option, replace or recondition the product without charge.

THE WARRANTY SET FORTH HEREIN IS GIVEN EXPRESSLY AND IS THE ONLY WARRANTY GIVEN BY THE COMPANY WITH RESPECT TO THE PRODUCT. THE COMPANY MAKES NO OTHER WARRANTIES, EXPRESS OR IMPLIED. THE COMPANY HEREBY SPECIFICALLY DISCLAIMS ALL OTHER WARRANTIES, EXPRESS OR IMPLIED, INCLUDING BUT NOT LIMITED TO THE IMPLIED WARRANTIES OF MERCHANTABILITY AND FITNESS FOR A PARTICULAR PURPOSE.

The remedy described in the first paragraph of this warranty shall constitute the sole and exclusive remedy for breach of warranty, and the Company shall not be responsible for any incidental, special or consequential damages, including without limitation, lost profits or the cost of repairing or replacing other property which is damaged if this product does not work properly, other costs resulting from labor charges, delays, vandalism, negligence, fouling caused by foreign material, damage from adverse water conditions, chemical, or any other circumstances over which the Company has no control. This warranty shall be invalidated by any abuse, misuse, misapplication, improper installation or improper maintenance or alteration of the product.

Some States do not allow limitations on how long an implied warranty lasts, and some States do not allow the exclusion or limitation of incidental or consequential damages. Therefore the above limitations may not apply to you. This Limited Warranty gives you specific legal rights, and you may have other rights that vary from State to State. You should consult applicable state laws to determine your rights. **SO FAR AS IS CONSISTENT WITH APPLICABLE STATE LAW, ANY IMPLIED WARRANTIES THAT MAY NOT BE DISCLAIMED, INCLUDING THE IMPLIED WARRANTIES OF MERCHANTABILITY AND FITNESS FOR A PARTICULAR PURPOSE, ARE LIMITED IN DURATION TO ONE YEAR FROM THE DATE OF ORIGINAL SHIPMENT.**

